

Atlas Copco

Oil-sealed rotary
vane vacuum pumps

GVS 16A, GVS 25A, GVS 40A,
GVS 60A, GVS 100A, GVS 200A,
GVS 300A, GVS 470A, GVS 630A



Parts list Book

6996 0224 29
Issue A

Atlas Copco

Atlas Copco

Oil-sealed rotary vane vacuum pumps

GVS 16A, GVS 25A, GVS 40A, GVS 60A, GVS 100A,
GVS 200A, GVS 300A, GVS 470A, GVS 630A

Parts list book

Copyright notice

Any unauthorized use or copying of the contents or any part thereof is prohibited. This applies in particular to trademarks, model denominations, part numbers and drawings.

This instruction book is valid for CE as well as non-CE labelled machines. It meets the requirements for instructions specified by the applicable European directives as identified in the Declaration of Conformity.

2017 - 06

No. 6996 0224 29

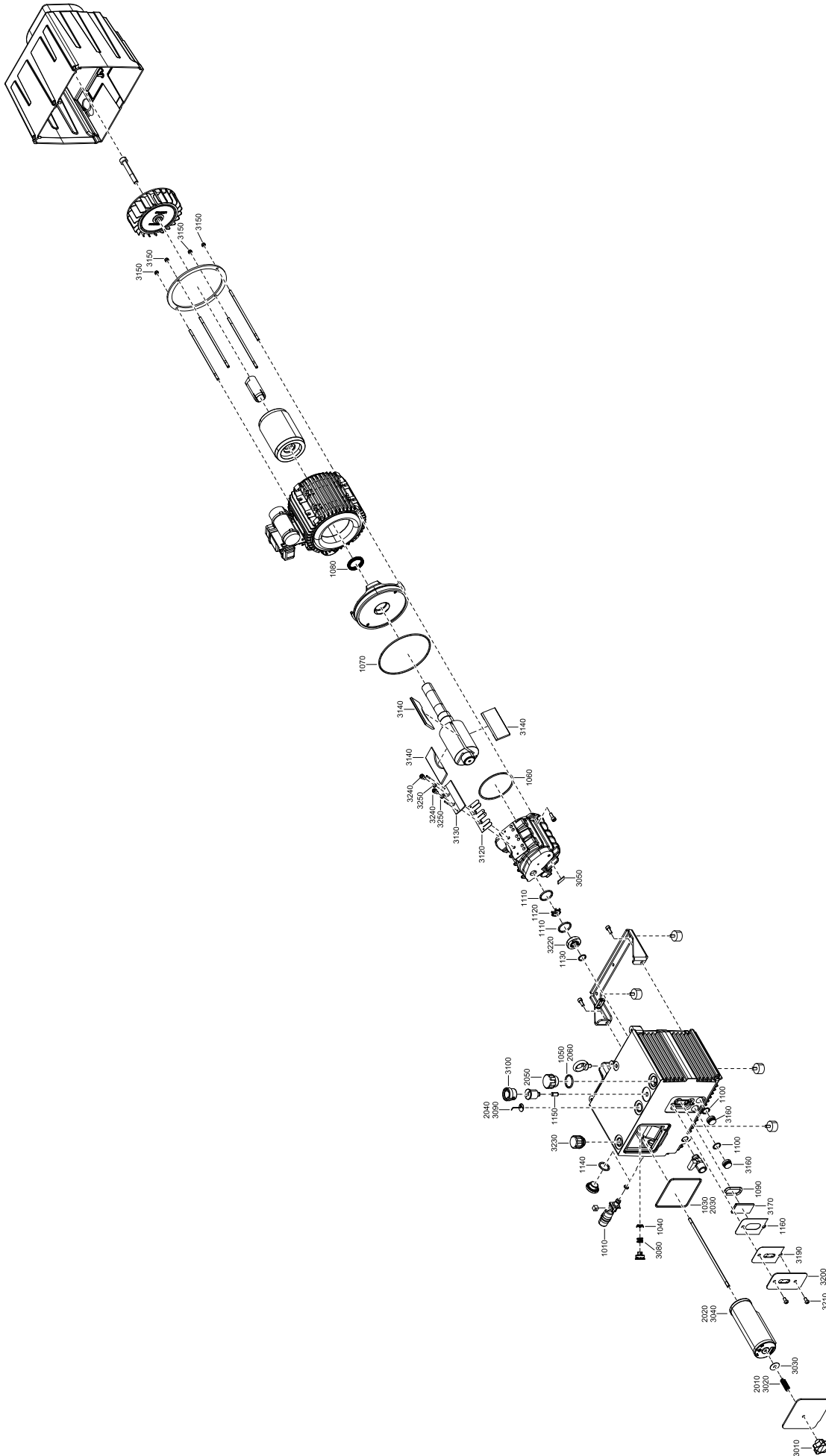
www.atlascopco.com

The Atlas Copco logo consists of the brand name "Atlas Copco" in a stylized, italicized serif font. It is positioned between two thick, solid black horizontal bars, one above and one below the text.

Table of contents

1	GVS 16-25A	6
2	GVS 40A	8
3	GVS 60A	10
4	GVS 60A O ₂	12
5	GVS 100A	14
6	GVS 100A O ₂	16
7	GVS 200A	18
8	GVS 200A O ₂	20
9	GVS 300A	22
10	GVS 300A O ₂	24
11	GVS 470A	26
12	GVS 470A O ₂	28
13	GVS 630A	30
14	GVS 630A O ₂	34

1



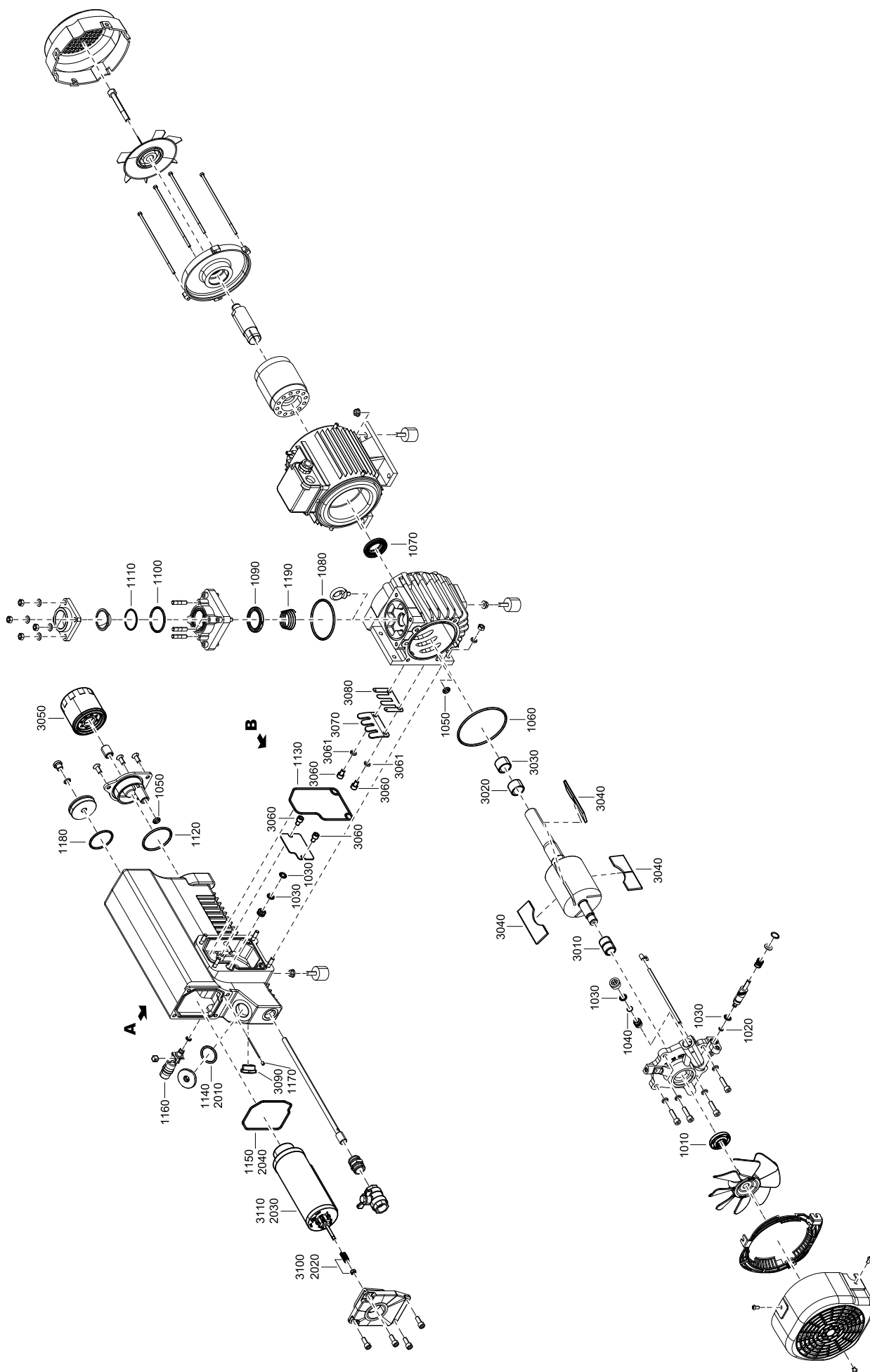
GVS 16-25A

1

Ref.	Part number	Qty	Name	Remarks
	3001 1701 40	1	Seals kit GVS 16-25A	
1010	- •	1	Float valve assembly	
1030	- •	1	O-ring	
1040	- •	1	By pass valve	
1050	- •	1	O-ring	
1060	- •	1	O-ring	
1070	- •	1	O-ring	
1080	- •	1	Shaft seal	
1090	- •	1	O-ring	
1100	- •	2	O-ring	
1110	- •	2	O-ring	
1120	- •	1	Intake valve	
1130	- •	1	O-ring	
1140	- •	1	O-ring	
1150	- •	1	Gas balllast non return	
1160	- •	1	Seal	
	3001 1701 54	1	Maintenance kit GVS 16-25A	
2010	- •	1	Spring	
2020	3001 1701 82 •	1	Oil separator element	
2030	- •	1	O-ring	
2040	- •	1	Dirt trap	
2050	- •	1	Plug oil filling	
2060	- •	1	O-ring	
3030	- •	1	Washer	
	3001 1701 68	1	Repair kit GVS 16-25A	
3010	- •	1	Tightening knob	
3020	- •	1	Spring	
3030	- •	1	Washer	
3040	3001 1701 82 •	1	Oil separator element	
3050	- •	1	Magnet	
3080	- •	1	Spring by-pass	
3090	- •	1	Dirt trap	
3100	- •	1	Gas ballast cap	
3120	- •	1	Valve plate	
3130	- •	1	Valve stop	
3140	- •	1	Vane (set of 3)	
3150	- •	4	Nut	
3160	- •	2	Plug	
3170	- •	1	Oil sight glass	
3190	- •	1	Sight glass cover water	
3200	- •	1	Sight glass cover air	
3210	- •	2	Screw	
3220	- •	1	Intake valve ring	
3230	- •	1	Exhaust plug	
3240	- •	2	Screw	
3250	- •	2	Washer	
-	3001 1701 40 •	1	Seals kit	
-	3001 1701 94	1	Polyester inlet filter element	
-		1	Oil	
	1630 2044 01		Vacuum Vane Fluid 32 - Mineral oil (1L)	
	1630 2047 01		Vacuum Vane Fluid Plus 32 - Synthetic oil (1L)	
	1630 1126 02		Vacuum Fluid Foodgrade - Foodgrade oil (20L)	1)

Note : 1) Foodgrade oil to be used in GVS 20A and GVS 25A only for 3PH versions.

2

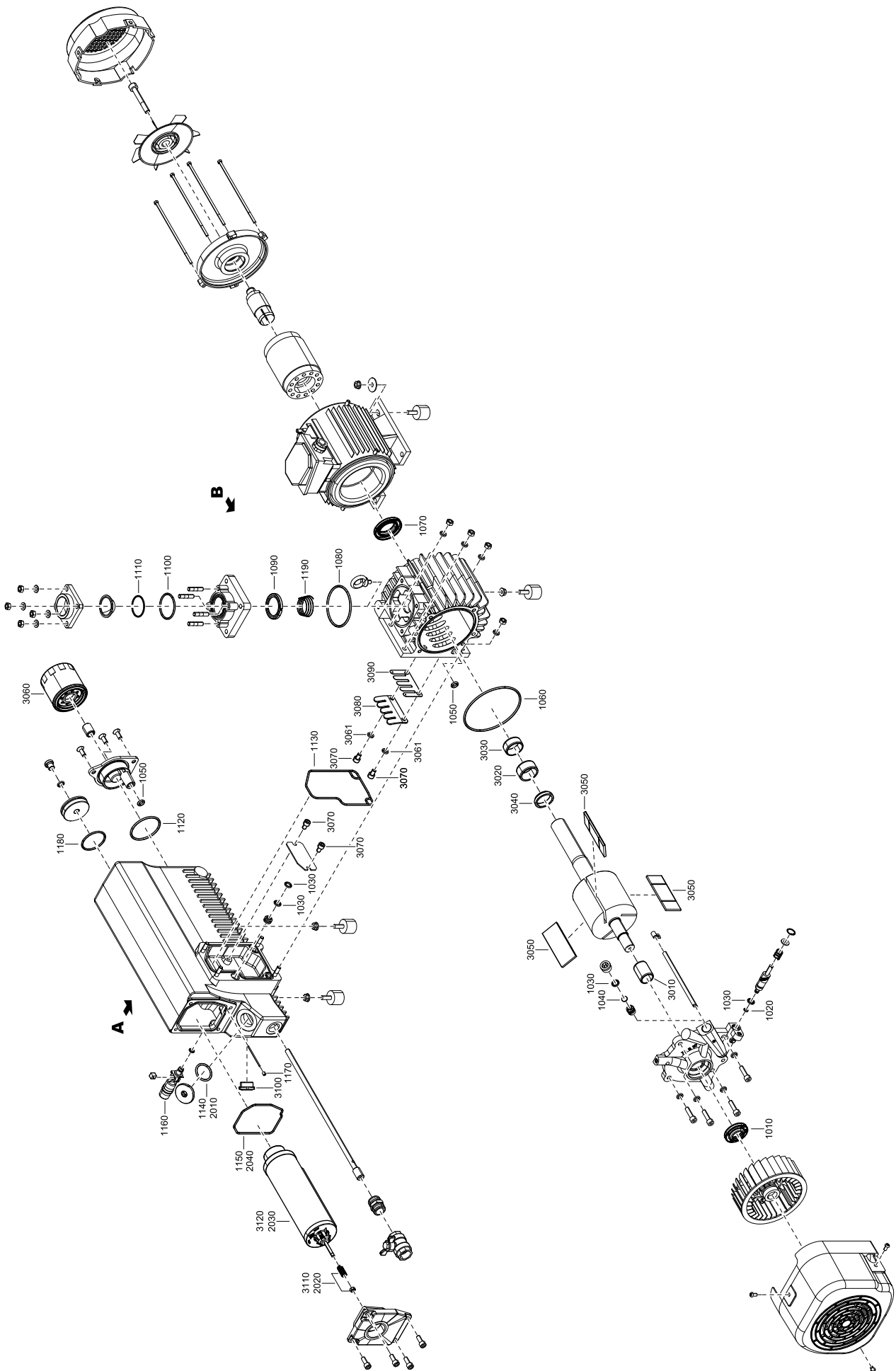


GVS 40A

2

Ref.	Part number	Qty	Name	Remarks
	3001 1701 41	1	Seals kit GVS 40A	
1010	- •	1	Radial shaft seal	
1020	- •	1	O-ring	
1030	- •	4	O-ring	
1040	- •	1	Membrane	
1050	- •	2	O-ring	
1060	- •	1	O-ring	
1070	- •	1	Radial shaft seal	
1080	- •	1	O-ring	
1090	- •	1	Intake valve	
1100	- •	1	O-ring	
1110	- •	1	O-ring	
1120	- •	1	O-ring	
1130	- •	1	Gasket	
1140	- •	1	O-ring	
1150	- •	1	Gasket	
1160	- •	1	Float valve assembly	
1170	- •	1	Pin seal	
1180	- •	2	O-ring	
1190	- •	1	Spring	
	3001 1701 55	1	Maintenance kit GVS 40A	
2010	- •	1	O-ring	
2020	- •	1	Spring unit	
2030	3001 1701 83 •	1	Oil separator element	
2040	- •	1	Gasket	
	3001 1701 69	1	Repair kit GVS 40A	
3010	- •	1	Rotor ring	
3020	- •	1	Rotor ring	
3030	- •	1	Rotor ring	
3040	- •	1	Vane (set of 3)	
3050	3001 1701 90 •	1	Oil filter	
3060	- •	4	Screw	
3061	- •	2	Washer	
3070	- •	1	Valve stop	
3080	- •	1	Valve	
3090	- •	1	Oil level glass	
3100	- •	1	Spring unit	
3110	3001 1701 83 •	1	Oil separator element	
-	3001 1701 41 •	1	Seals kit GVS 40A	
-	3001 1701 95	1	Polyester inlet filter element	
-		1	Oil	
	1630 2045 01		Vacuum Vane Fluid 68 - Mineral oil (1L)	
	1630 2049 01		Vacuum Vane Fluid Plus 100 - Synthetic oil (1L)	
	1630 1126 02		Vacuum Fluid Foodgrade - Foodgrade oil (20L)	

3

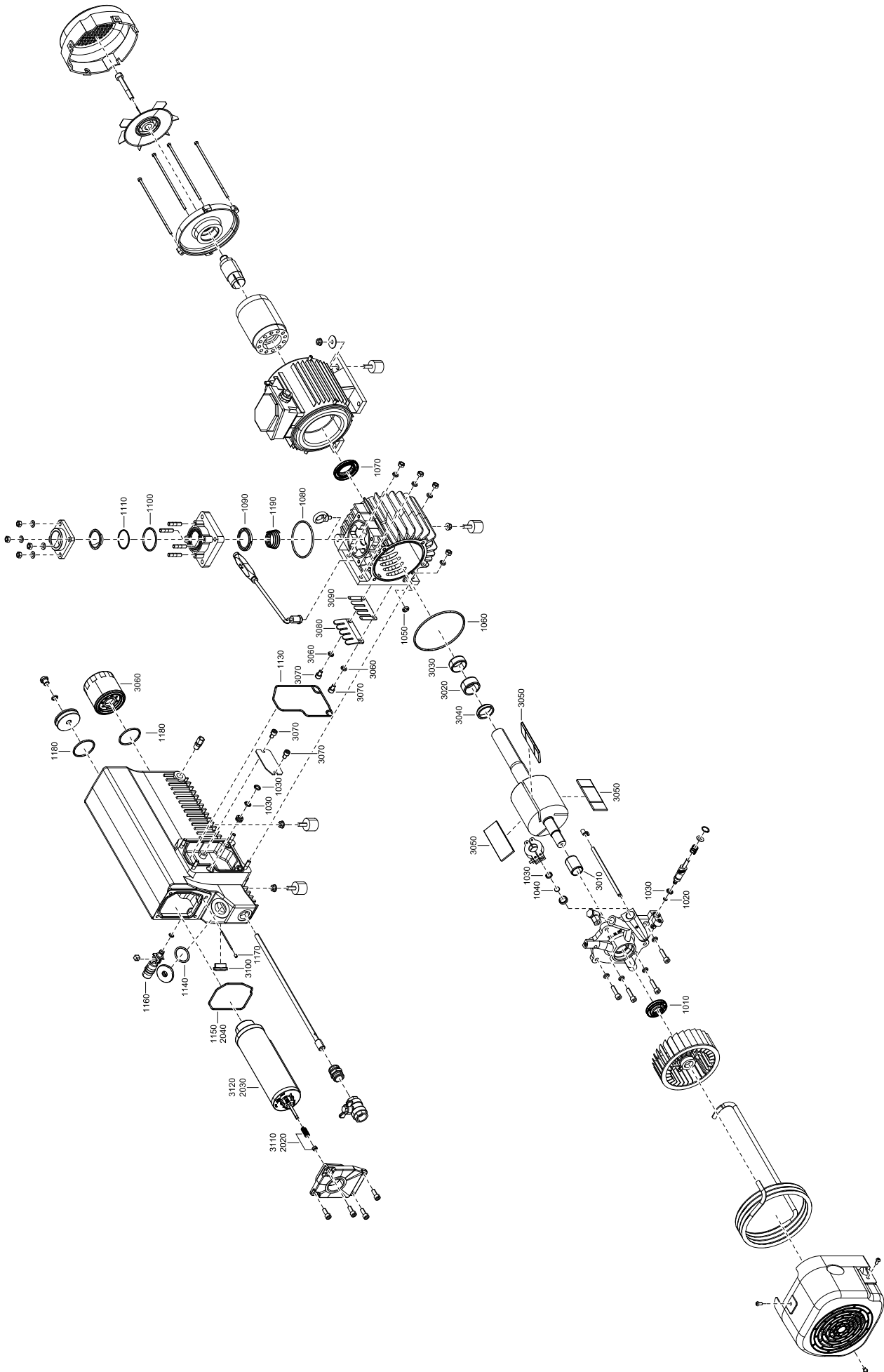


GVS 60A

3

Ref.	Part number	Qty	Name	Remarks
	3001 1701 42	1	Seals kit GVS 60A	
1010	- •	1	Radial shaft seal	
1020	- •	1	O-ring	
1030	- •	4	O-ring	
1040	- •	1	Membrane	
1050	- •	2	O-ring	
1060	- •	1	O-ring	
1070	- •	1	Radial shaft seal	
1080	- •	1	O-ring	
1090	- •	1	Intake valve	
1100	- •	1	O-ring	
1110	- •	1	O-ring	
1120	- •	1	O-ring	
1130	- •	1	Gasket	
1140	- •	1	O-ring	
1150	- •	1	Gasket	
1160	- •	1	Float valve assembly	
1170	- •	1	Pin seal	
1180	- •	1	O-ring	
1190	- •	1	Spring	
	3001 1701 56	1	Maintenance kit GVS 60A	
2010	- •	1	O-ring	
2020	- •	1	Spring unit	
2030	3001 1701 84 •	1	Oil separator element	
2040	- •	1	Gasket	
	3001 1701 70	1	Repair kit GVS 60A	
3010	- •	1	Rotor ring	
3020	- •	1	Rotor ring	
3030	- •	1	Rotor ring	
3040	- •	1	Rotor ring	
3050	- •	1	Vane (set of 3)	
3060	3001 1701 90 •	1	Oil filter	
3061	- •	2	Washer	
3070	- •	4	Screw	
3080	- •	1	Valve stop	
3090	- •	1	Valve	
3100	- •	1	Oil level glass	
3110	- •	1	Spring unit	
3120	3001 1701 84 •	1	Oil separator element	
-	3001 1701 42 •	1	Seals kit GVS 60A	
-	3001 1701 96	1	Polyester inlet filter element GVS 60A	
-		1	Oil	
	1630 2045 01		Vacuum Vane Fluid 68 - Mineral oil (1L)	
	1630 2049 01		Vacuum Vane Fluid Plus 100 - Synthetic oil (1L)	
	1630 1126 02		Vacuum Fluid Foodgrade - Foodgrade oil (20L)	

4

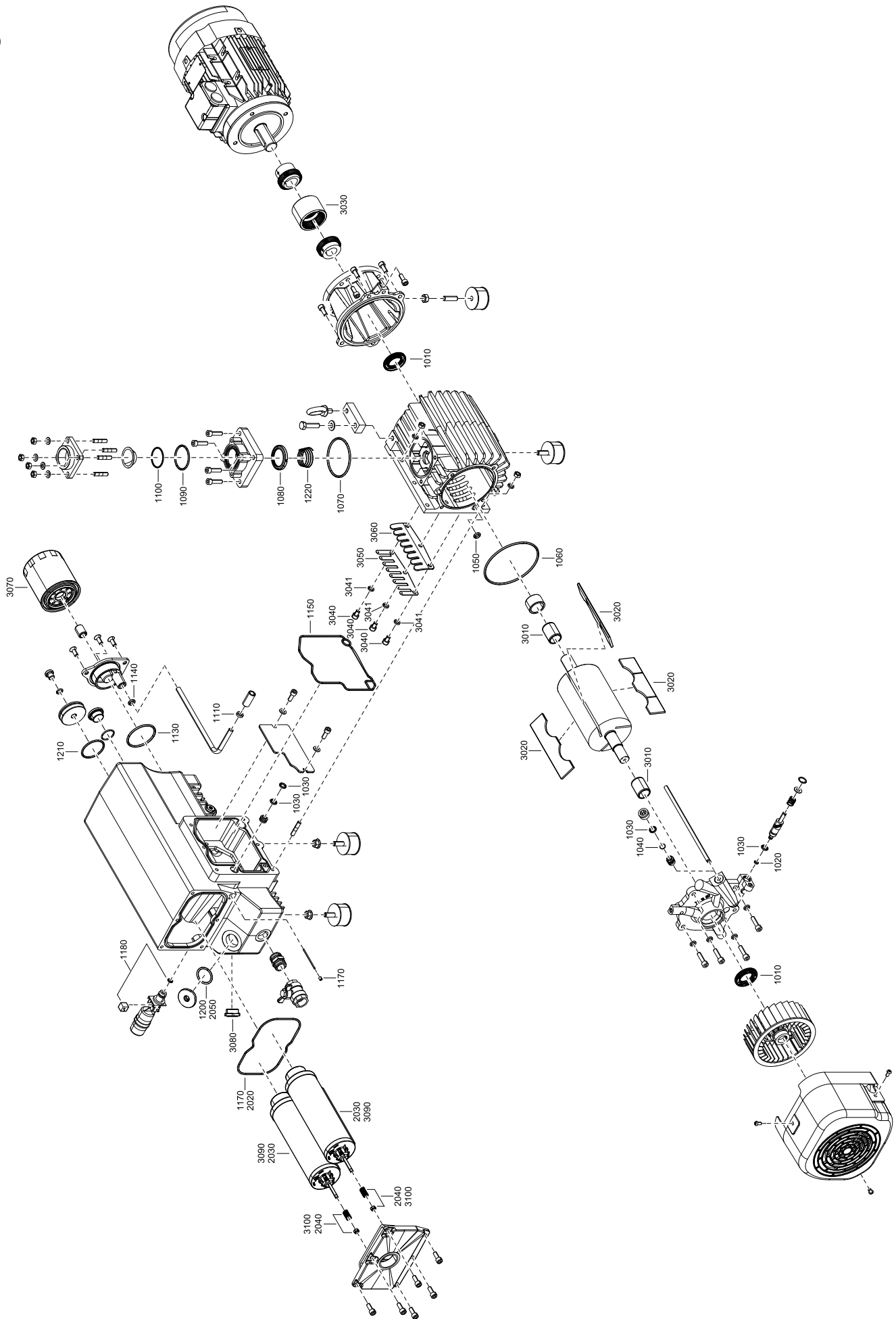


GVS 60A O₂

4

Ref.	Part number	Qty	Name	Remarks
	3001 1701 48	1	Seals kit GVS 60A O₂	
1010	- •	1	Radial shaft seal	
1020	- •	1	O-ring	
1030	- •	4	O-ring	
1040	- •	1	Membrane	
1050	- •	1	O-ring	
1060	- •	1	O-ring	
1070	- •	1	Radial shaft seal	
1080	- •	1	O-ring	
1090	- •	1	Intake valve	
1100	- •	1	O-ring	
1110	- •	1	O-ring	
1120	- •	1	O-ring	
1130	- •	1	Gasket	
1140	- •	1	O-ring	
1150	- •	1	Gasket	
1160	- •	1	Float valve assembly	
1170	- •	1	Pin seal	
1180	- •	2	O-ring	
1190	- •	1	Spring	
	3001 1701 62	1	Maintenance kit GVS 60A O₂	
2010	- •	1	O-ring	
2020	- •	1	Spring unit	
2030	3001 1701 87 •	1	Oil separator element	
2040	- •	1	Gasket	
	3001 1701 76	1	Repair kit GVS 60A O₂	
3010	- •	1	Rotor ring	
3020	- •	1	Rotor ring	
3030	- •	1	Rotor ring	
3040	- •	1	Rotor ring	
3050	- •	1	Vane (set of 3)	
3060	- •	2	Washer	
3070	- •	4	Screw	
3080	- •	1	Valve stop	
3090	- •	1	Valve	
3100	- •	1	Oil level glass	
3110	- •	1	Spring unit	
3120	3001 1701 87 •	1	Oil separator element	
-	3001 1701 48 •	1	Seals kit GVS 60A O ₂	
-	3001 1701 99	1	PFPE oil (1L)	

5

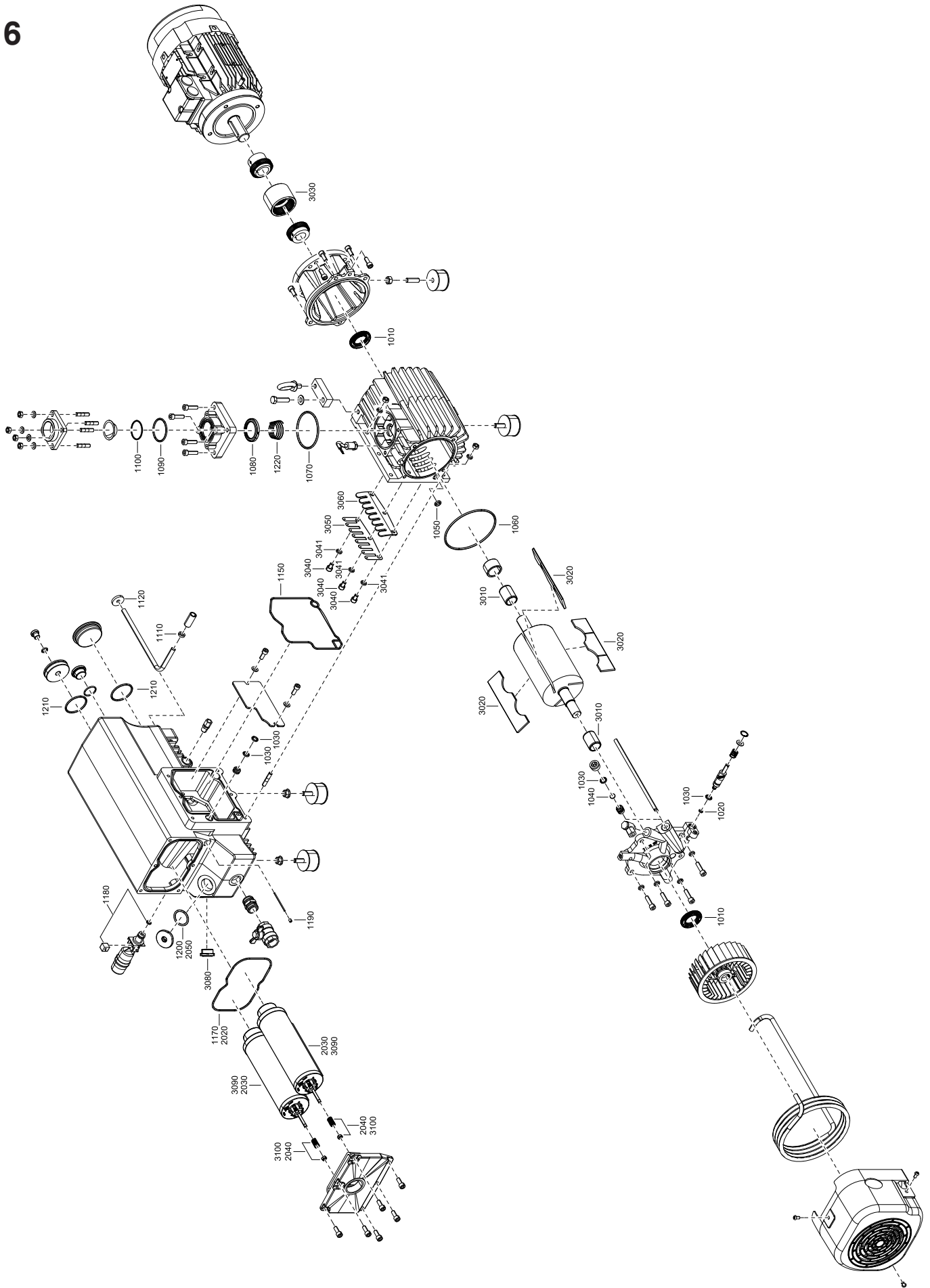


GVS 100A

5

Ref.	Part number	Qty	Name	Remarks
	3001 1701 43	1	Seals kit GVS 100A	
1010	- •	2	Radial shaft seal	
1020	- •	1	O-ring	
1030	- •	4	O-ring	
1040	- •	1	Membrane	
1050	- •	1	O-ring	
1060	- •	1	O-ring	
1070	- •	1	O-ring	
1080	- •	1	Intake valve	
1090	- •	1	O-ring	
1100	- •	1	O-ring	
1110	- •	1	Gasket	
1130	- •	1	O-ring	
1140	- •	1	O-ring	
1150	- •	1	Gasket	
1170	- •	1	Flat gasket	
1180	- •	1	Float valve assembly	
1190	- •	1	Pin seal	
1200	- •	1	O-ring	
1210	- •	1	O-ring	
1220	- •	1	Spring	
	3001 1701 57	1	Maintenance kit GVS 100A	
2020	- •	1	Flat gasket	
2030	3001 1701 84 •	2	Oil separator element	
2040	- •	2	Spring unit	
2050	- •	1	O-ring	
	3001 1701 71	1	Repair kit GVS 100A	
3010	- •	2	Rotor ring	
3020	- •	1	Vane (set of 3)	
3030	- •	1	Toothed ring	
3040	- •	3	Screw	
3041	- •	3	Washer	
3050	- •	1	Valve stop	
3060	- •	1	Valve	
3070	3001 1701 91 •	1	Oil filter	
3080	- •	1	Oil level glass	
3090	3001 1701 84 •	2	Oil separator element	
3100	- •	2	Spring unit	
-	3001 1701 43 •	1	Seals kit GVS 100A	
-	3001 1701 96	1	Polyester inlet filter element GVS 100A	
-		1	Oil	
	1630 2045 01		Vacuum Vane Fluid 68 - Mineral oil (1L)	
	1630 2049 01		Vacuum Vane Fluid Plus 100 - Synthetic oil (1L)	
	1630 1126 02		Vacuum Fluid Foodgrade - Foodgrade oil (20L)	

6

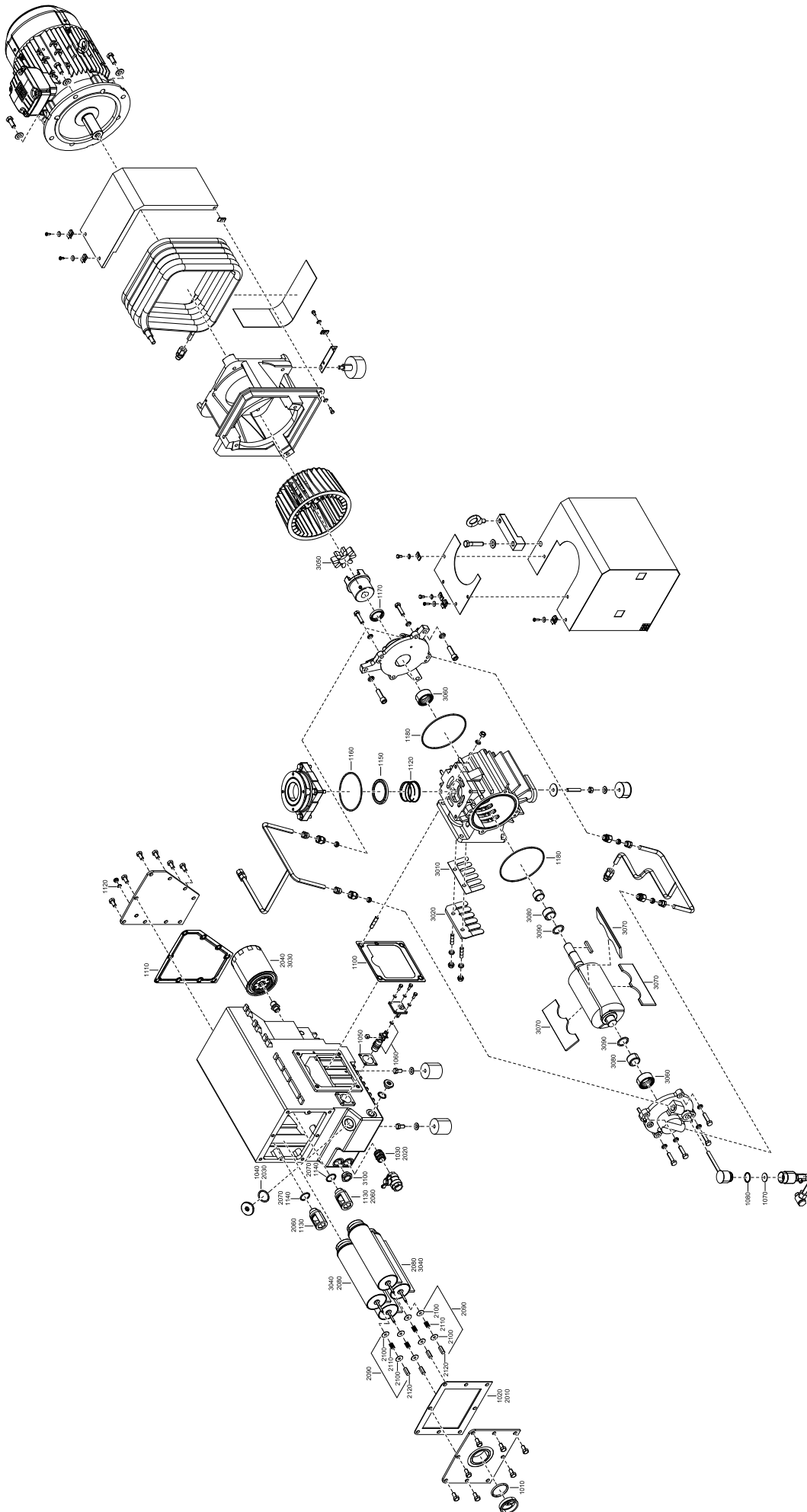


GVS 100A O₂

6

Ref.	Part number	Qty	Name	Remarks
	3001 1701 49	1	Seals kit GVS 100A O₂	
1010	- •	2	Radial shaft seal	
1020	- •	1	O-ring	
1030	- •	4	O-ring	
1040	- •	1	Membrane	
1050	- •	1	O-ring	
1060	- •	1	O-ring	
1070	- •	1	O-ring	
1080	- •	1	Intake valve	
1090	- •	1	O-ring	
1100	- •	1	O-ring	
1110	- •	1	Gasket	
1120	- •	1	Ring	
1150	- •	1	Gasket	
1170	- •	1	Flat gasket	
1180	- •	1	Float valve assembly	
1190	- •	1	Pin seal	
1200	- •	1	O-ring	
1210	- •	2	O-ring	
1220	- •	1	Spring	
	3001 1701 63	1	Maintenance kit GVS 100A O₂	
2020	- •	1	Flat gasket	
2030	3001 1701 87 •	2	Oil separator element	
2040	- •	2	Spring unit	
2050	- •	1	O-ring	
	3001 1701 77	1	Repair kit GVS 100A O₂	
3010	- •	2	Rotor ring	
3020	- •	1	Vane (set of 3)	
3030	- •	1	Toothed ring	
3040	- •	3	Screw	
3041	- •	3	Washer	
3050	- •	1	Valve stop	
3060	- •	1	Valve	
3080	- •	1	Oil level glass	
3090	3001 1701 87 •	2	Oil separator element	
3100	- •	2	Spring unit	
-	3001 1701 49 •	1	Seals kit GVS 100A O ₂	
-	3001 1701 99	1	PFPE oil (1L)	

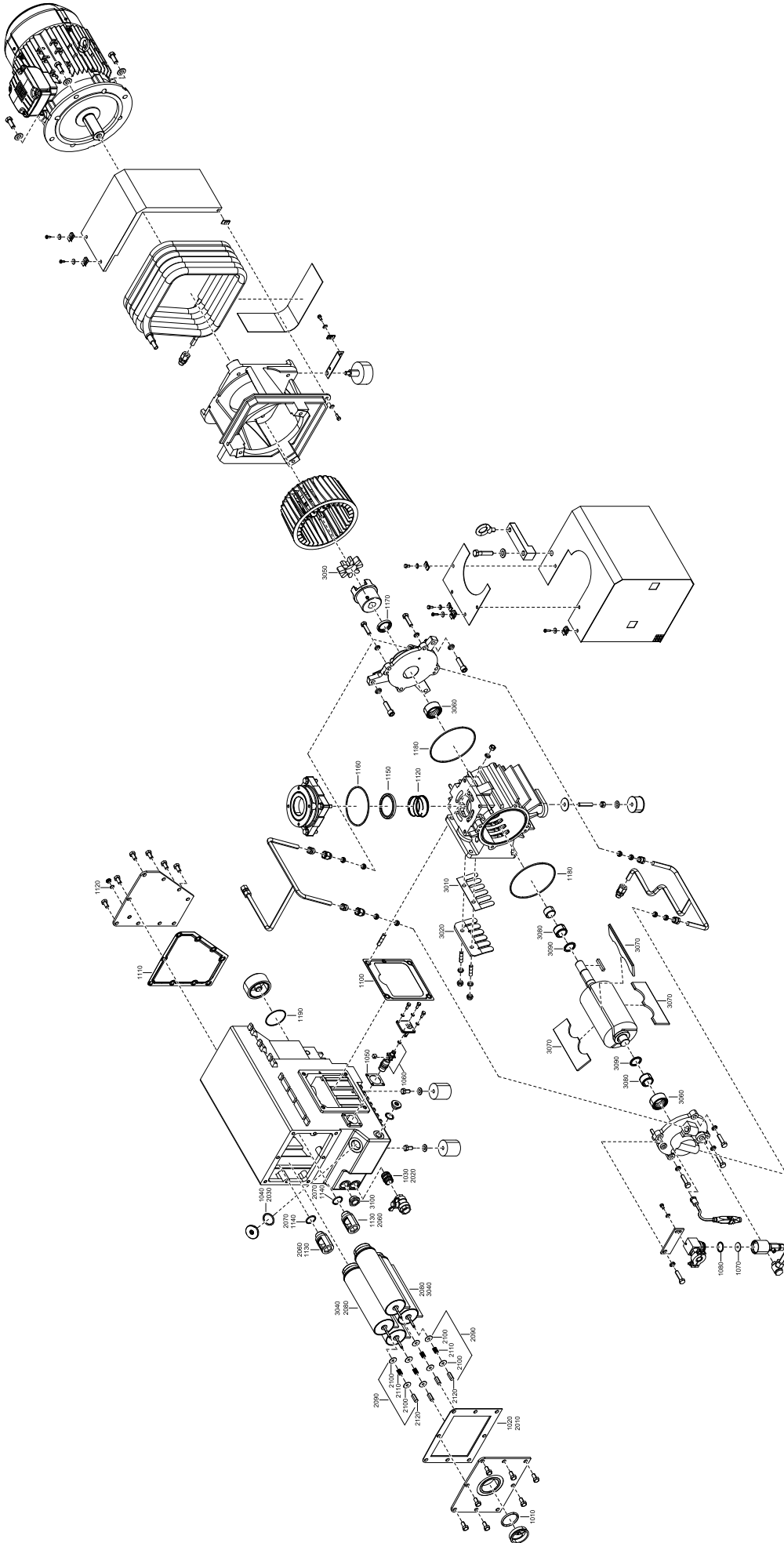
7



GVS 200A

7

Ref.	Part number	Qty	Name	Remarks
	3001 1701 44	1	Seals kit GVS 200A	
1010	- •	1	Gasket	
1020	- •	1	Flat gasket	
1030	- •	1	O-ring	
1040	- •	1	O-ring	
1050	- •	1	Flat gasket	
1060	- •	1	Float valve assembly	
1070	- •	1	Gas ballast membrane	
1080	- •	1	O-ring	
1100	- •	1	Flat gasket	
1110	- •	1	Flat gasket	
1120	- •	1	Spring	
1130	- •	2	Relief valve seal	
1140	- •	2	O-ring	
1150	- •	1	Intake valve	
1160	- •	1	O-ring	
1170	- •	1	Radial shaft seal	
1180	- •	2	O-ring	
	3001 1701 58	1	Maintenance kit GVS 200A	
2010	- •	1	Flat gasket	
2030	- •	1	O-ring	
2040	3001 1701 92 •	1	Oil filter	
2060	- •	2	Relief valve seal	
2070	- •	2	O-ring	
2080	3001 1701 85 •	4	Oil separator element	
2090	- •	4	Spring unit	
	3001 1701 72	1	Repair kit GVS 200A	
3010	- •	1	Valve plate set	
3020	- •	1	Valve stop	
3030	3001 1701 92 •	1	Oil filter	
3040	3001 1701 85 •	4	Oil separator element	
3050	- •	1	Toothed ring	
3060	- •	2	Needle bearing (outer)	
3070	- •	1	Vane (set of 3)	
3080	- •	2	Needle bearing (inner)	
3090	- •	2	Rotor ring	
3100	- •	1	Oil level glass	
-	3001 1701 44 •	1	Seals kit GVS 200A	
-	3001 1701 97	1	Polyester inlet filter element	
-		1	Oil	
	1630 2045 01		Vacuum Vane Fluid 68 - Mineral oil (1L)	
	1630 2049 01		Vacuum Vane Fluid Plus 100 - Synthetic oil (1L)	
	1630 1126 02		Vacuum Fluid Foodgrade - Foodgrade oil (20L)	

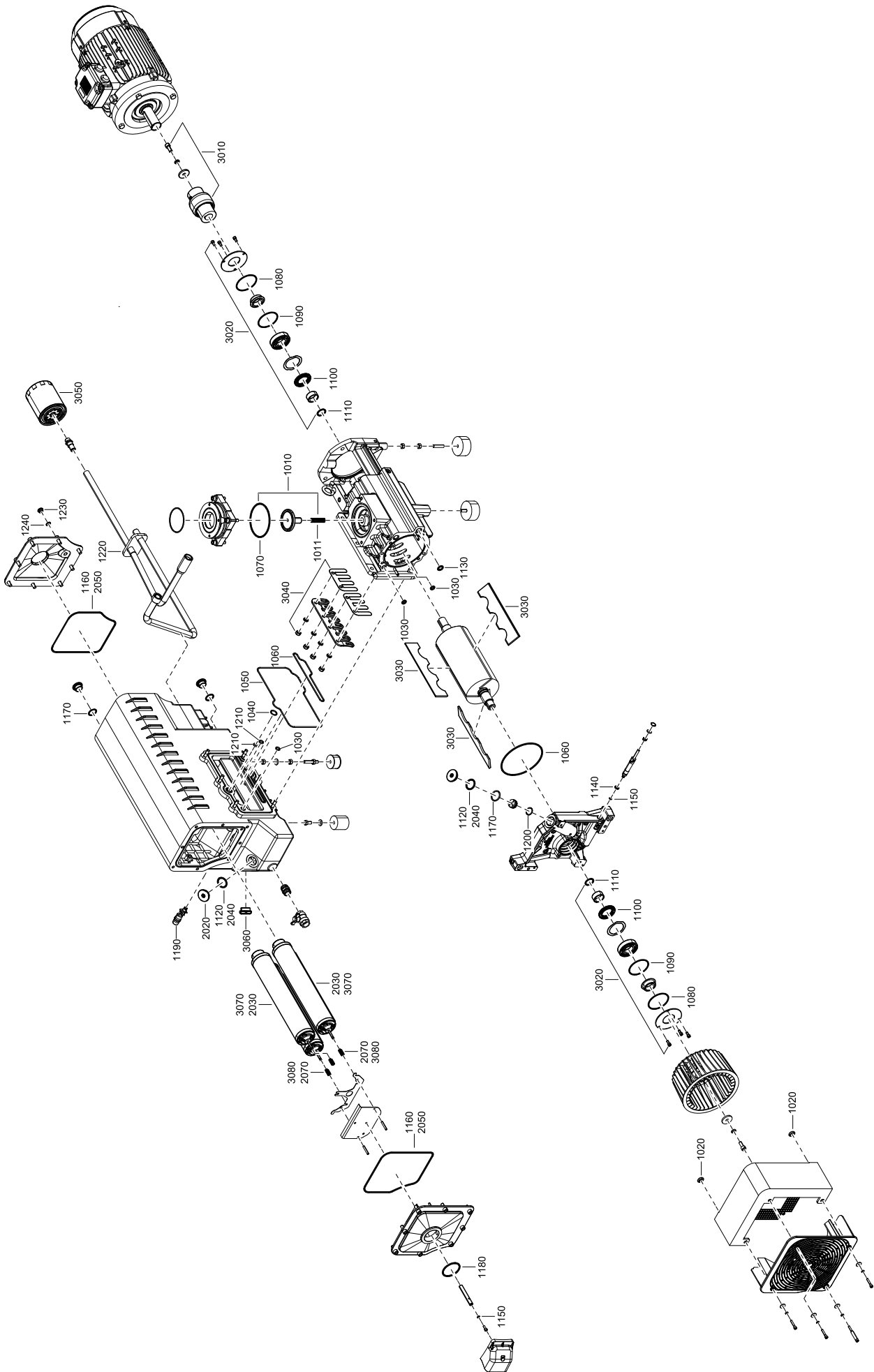


GVS 200A O₂

8

Ref.	Part number	Qty	Name	Remarks
	3001 1701 50	1	Seals kit GVS 200A O₂	
1010	- •	1	Gasket	
1020	- •	1	Flat Gasket	
1030	- •	1	O-ring	
1040	- •	1	O-ring	
1050	- •	1	Flat Gasket	
1060	- •	1	Float valve assembly	
1070	- •	1	Gas ballast membrane	
1080	- •	1	O-ring	
1100	- •	1	Flat Gasket	
1110	- •	1	Flat Gasket	
1120	- •	1	Spring	
1130	- •	2	Relief valve seal	
1140	- •	2	O-ring	
1150	- •	1	Intake valve	
1160	- •	1	O-ring	
1170	- •	1	Radial shaft seal	
1180	- •	2	O-ring	
1190	- •	1	O-ring	
	3001 1701 64	1	Maintenance kit GVS 200A O₂	
2010	- •	1	Flat Gasket	
2030	- •	1	O-ring	
2060	- •	2	Relief valve seal	
2070	- •	2	O-ring	
2080	3001 1701 88 •	4	Oil separator element	
2090	- •	4	Spring unit	
	3001 1701 78	1	Repair kit GVS 200A O₂	
3010	- •	1	Valve plate set	
3020	- •	1	Valve stop	
3040	3001 1701 88 •	4	Oil separator element	
3050	- •	1	Toothed ring	
3060	- •	2	Needle bearing (outer)	
3070	- •	1	Vane (set of 3)	
3080	- •	2	Needle bearing (inner)	
3090	- •	2	Rotor ring	
3100	- •	1	Oil level glass	
-	3001 1701 50 •	1	Seals kit GVS 200A O ₂	
-	3001 1701 99	1	PFPE oil (1L)	

9

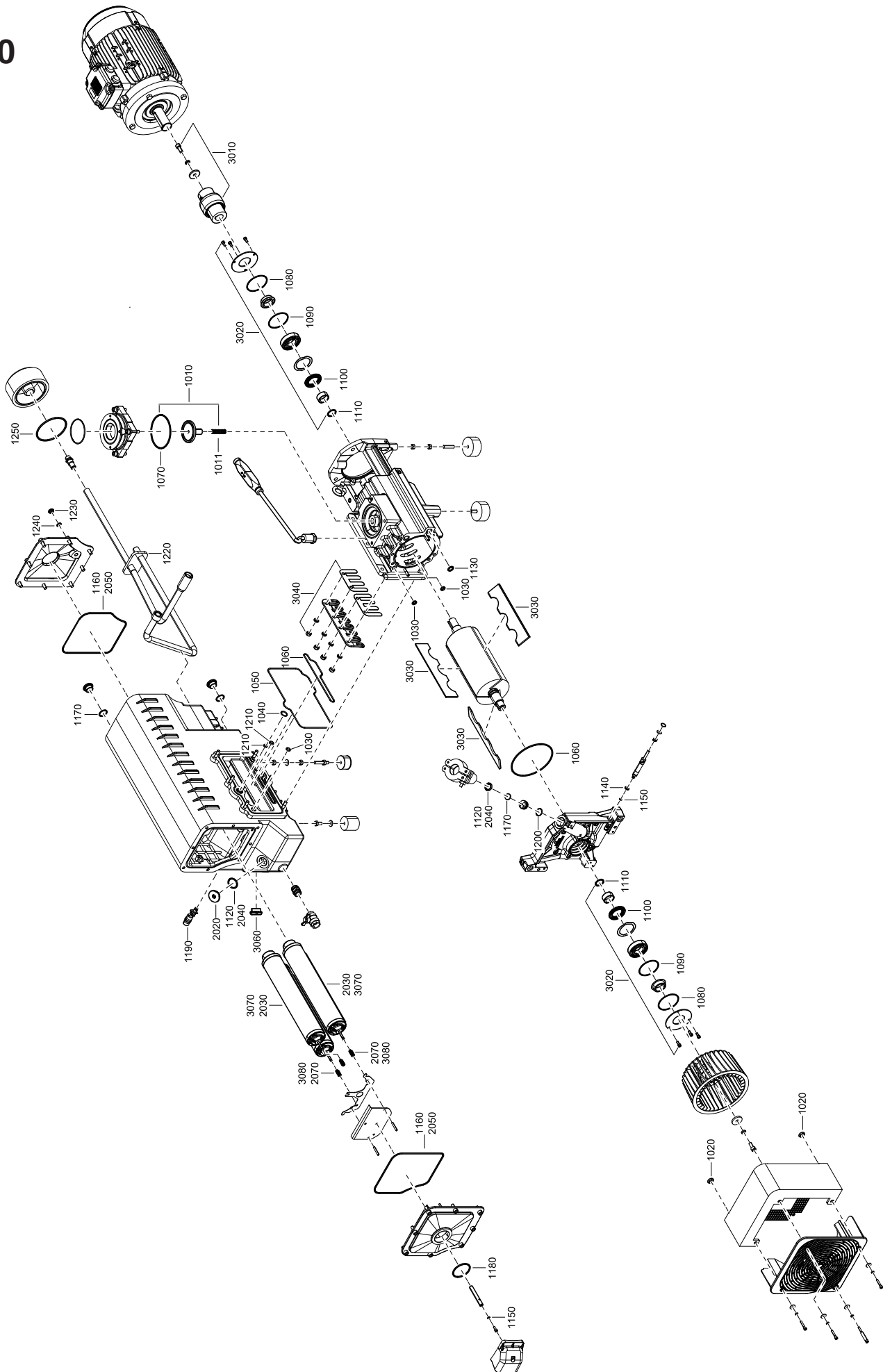


GVS 300A

9

Ref.	Part number	Qty	Name	Remarks
	3001 1701 45	1	Seals kit GVS 300A	
1010	- •	1	Anti suckback valve	
1011	- •	1	Spring	
1020	- •	1	O-ring	
1030	- •	3	O-ring	
1040	- •	1	O-ring	
1050	- •	1	O-ring	
1060	- •	2	O-ring	
1070	- •	1	O-ring	
1080	- •	2	O-ring	
1090	- •	2	O-ring	
1100	- •	2	Shaft Seal	
1110	- •	2	O-ring	
1120	- •	2	O-ring	
1130	- •	1	O-ring	
1140	- •	1	O-ring	
1150	- •	2	O-ring	
1160	- •	2	O-ring	
1170	- •	2	O-ring	
1180	- •	1	O-ring	
1190	- •	1	Float valve assembly	
1200	- •	1	Gas ballast membrane	
1210	- •	2	O-ring	
1220	- •	1	Seal	
1230	- •	1	Plug	
1240	- •	1	O-ring	
	3001 1701 59	1	Maintenance kit GVS 300A	
2020	- •	1	Oil fill plug	
2030	3001 1701 86 •	3	Oil separator element with bypass	
2040	- •	2	O-ring	
2050	- •	2	O-ring	
2070	- •	3	Compressor spring	
	3001 1701 73	1	Repair kit GVS 300A	
3010	- •	1	Coupling set	
	- •	1	Europe/World	
	- •	1	US	
3020	- •	2	Bearing kit	
3030	- •	1	Vane (set of 3)	
3040	- •	1	Valve and valve stop kit	
3050	3001 1701 92 •	1	Oil filter	
3060	- •	1	Glass oil sight glass	
3070	3001 1701 86 •	3	Oil separator element with bypass	
3080	- •	3	Compressor spring	
-	3001 1701 45 •	1	Seals kit GVS 300A	
-	3001 1701 97	1	Polyester inlet filter element	
-		1	Oil	
	1630 2045 01		Vacuum Vane Fluid 68 - Mineral oil (1L)	
	1630 2049 01		Vacuum Vane Fluid Plus 100 - Synthetic oil (1L)	
	1630 1126 02		Vacuum Fluid Foodgrade - Foodgrade oil (20L)	

10

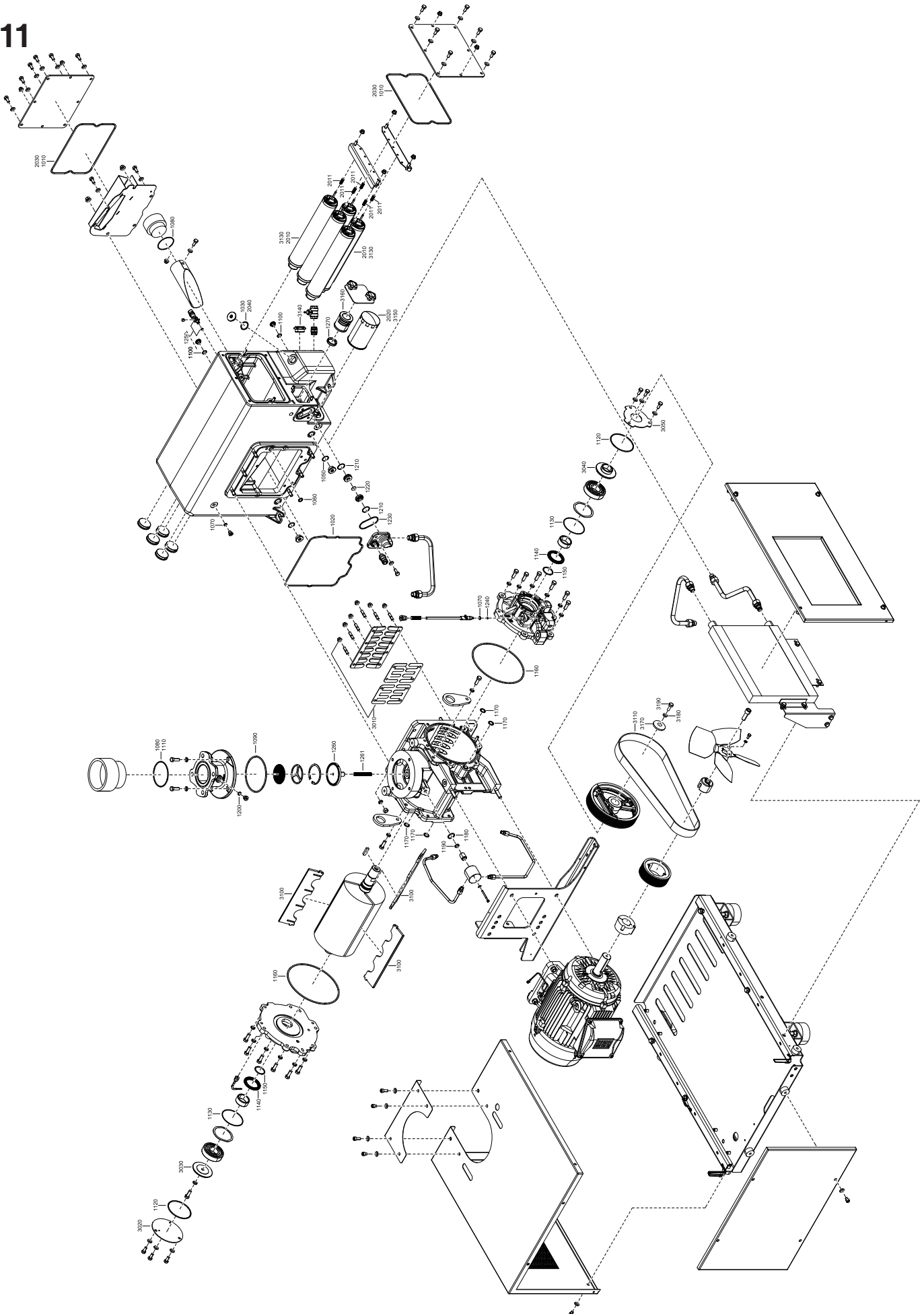


GVS 300A O₂

10

Ref.	Part number	Qty	Name	Remarks
	3001 1701 51	1	Seals kit GVS 300A O₂	
1010	- •	1	Anti suckback valve	
1011	- •	1	Spring	
1020	- •	1	O-ring	
1030	- •	3	O-ring	
1040	- •	1	O-ring	
1050	- •	1	O-ring	
1060	- •	2	O-ring	
1070	- •	1	O-ring	
1080	- •	2	O-ring	
1090	- •	2	O-ring	
1100	- •	2	Seal	
1110	- •	2	O-ring	
1120	- •	2	O-ring	
1130	- •	1	O-ring	
1140	- •	1	O-ring	
1150	- •	2	O-ring	
1160	- •	2	O-ring	
1170	- •	2	O-ring	
1180	- •	1	O-ring	
1190	- •	1	Float valve assembly	
1200	- •	1	Gas ballast membrane	
1210	- •	2	O-ring	
1220	- •	1	Seal	
1230	- •	1	Plug	
1240	- •	1	O-ring	
1250	- •	1	O-ring	
	3001 1701 65	1	Maintenance kit GVS 300A O₂	
2020	- •	1	Oil fill plug	
2030	3001 1701 89 •	3	Oil separator element with bypass	
2040	- •	2	O-ring	
2050	- •	2	O-ring	
2070	- •	3	Compressor spring	
	3001 1701 79	1	Repair kit GVS 300A O₂	
3010	- •	1	Coupling set	
	- •	1	Europe/World	
	- •	1	US	
3020	- •	2	Bearing kit	
3030	- •	1	Vane (set of 3)	
3040	- •	1	Valve and valve stop kit	
3060	- •	1	Glass oil sight glass	
3070	3001 1701 89 •	3	Oil separator element with bypass	
3080	- •	3	Compressor spring	
-	3001 1701 51 •	1	Seals kit GVS 300A O ₂	
-	3001 1701 99	1	PFPE oil (1L)	

11

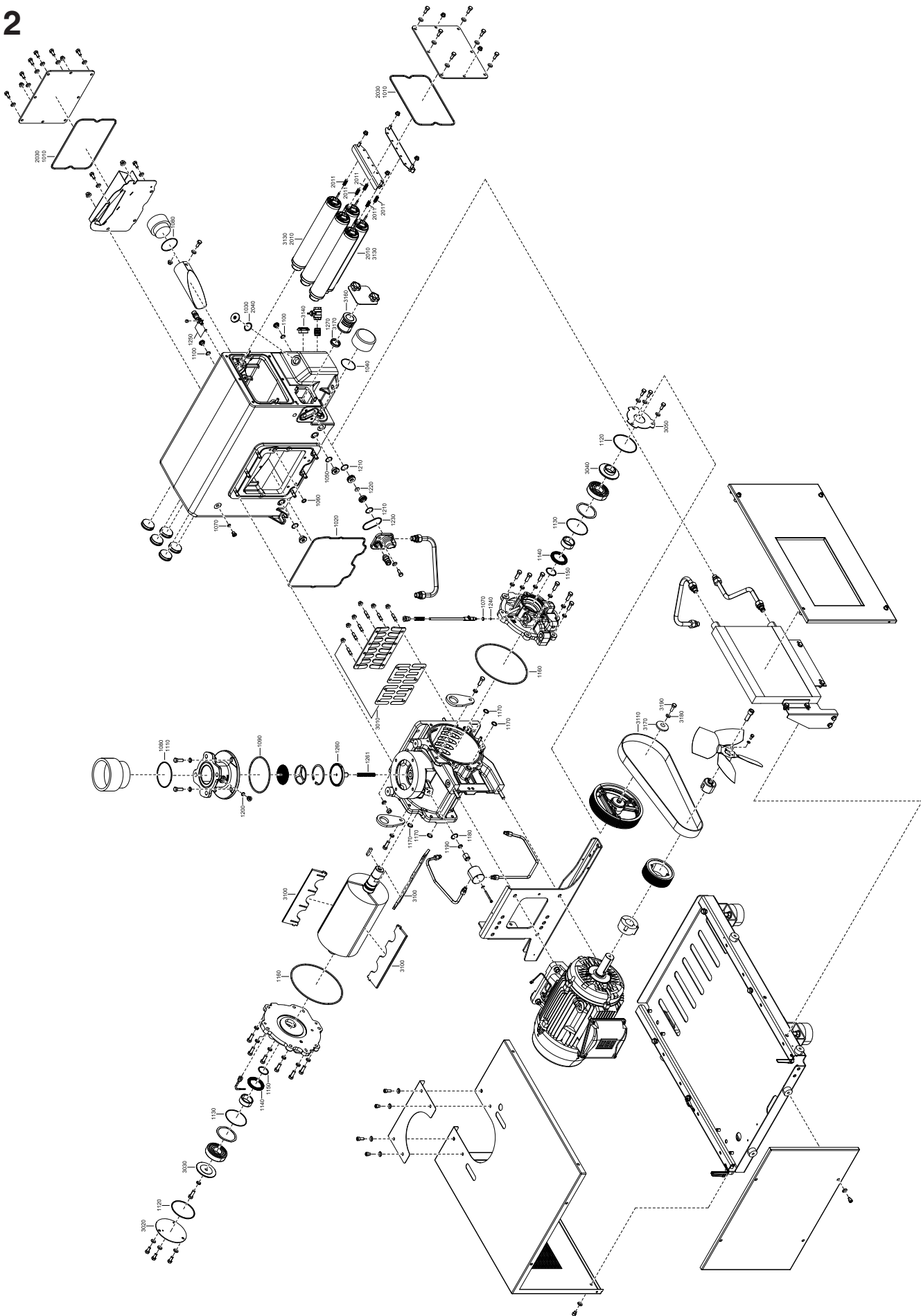


GVS 470A

11

Ref.	Part number	Qty	Name	Remarks
	3001 1701 46	1	Seals kit GVS 470A	
1010	- ●	2	O-ring	
1020	- ●	1	O-ring	
1030	- ●	1	O-ring	
1050	- ●	2	O-ring	
1060	- ●	1	O-ring	
1070	- ●	2	O-ring	
1080	- ●	2	O-ring	
1090	- ●	1	O-ring	
1100	- ●	2	O-ring	
1110	- ●	1	O-ring	
1120	- ●	2	O-ring	
1130	- ●	2	O-ring	
1140	- ●	2	O-ring	
1150	- ●	2	O-ring	
1160	- ●	2	O-ring	
1170	- ●	4	O-ring	
1180	- ●	1	O-ring	
1190	- ●	1	O-ring	
1200	- ●	1	O-ring	
1210	- ●	2	O-ring	
1220	- ●	1	O-ring	
1230	- ●	1	O-ring	
1240	- ●	1	O-ring	
1250	- ●	1	Float valve assembly	
1260	- ●	1	Anti suckback valve	
1261	- ●	1	Spring	
1270	- ●	1	Seal	
	3001 1701 60	1	Maintenance kit GVS 470A	
2010	3001 1701 86 ●	5	Oil separator element with bypass	
2011	- ●	5	Exhaust filter spring	
2020	3001 1701 93 ●	1	Oil filter	
2030	- ●	2	O-ring	
2040	- ●	1	O-ring	
	3001 1701 74	1	Repair kit GVS 470A	
3010	- ●	1	Valves and valves stop kit	
	- ●	1	Bearing kit	
3020	- ●●	1	Tape front flap	
3030	- ●●	1	Front bearing ring	
3040	- ●●	1	Rear bearing ring	
3050	- ●●	1	Tape Back flap	
3100	- ●	1	Vane (set of 3)	
3110	- ●	1	Belt	
3130	3001 1701 86 ●	5	Oil separator element with bypass	
3140	- ●	1	Oil level glass	
3150	3001 1701 93 ●	1	Oil filter	
3160	- ●	1	Filter paper element	
3170	- ●	1	Rotor ring	
3180	- ●	1	Washer	
3190	- ●	1	Screw	
-	3001 1701 46 ●	1	Seals kit GVS 470A	
-	3001 1701 98	1	Polyester inlet filter element	
-		1	Oil	
	1630 2045 01		Vacuum Vane Fluid 68 - Mineral oil (1L)	
	1630 2049 01		Vacuum Vane Fluid Plus 100 - Synthetic oil (1L)	

12

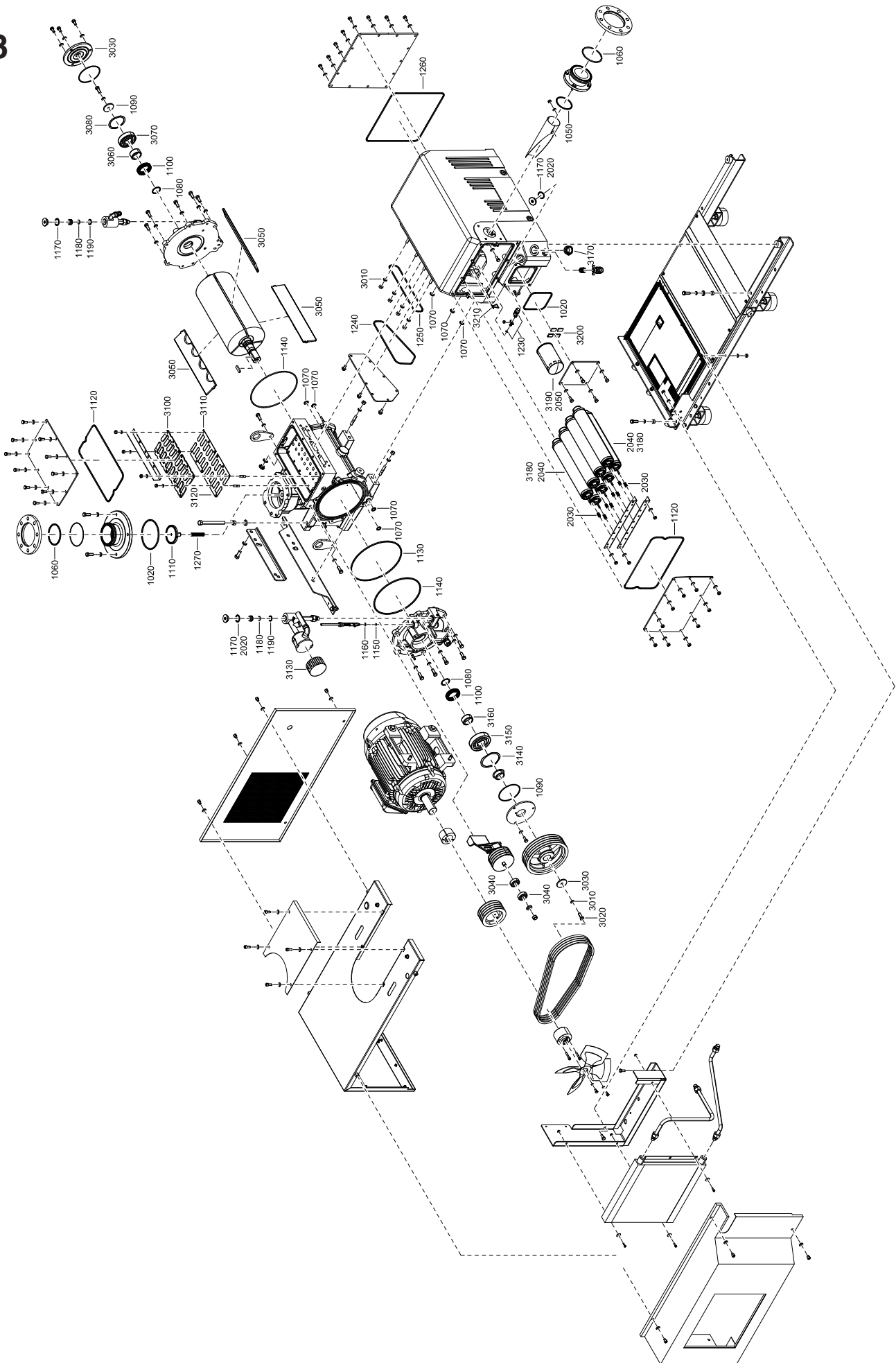


GVS 470A O₂

12

Ref.	Part number	Qty	Name	Remarks
	3001 1701 52	1	Seals kit GVS 470A O₂	
1010	- •	2	O-ring	
1020	- •	1	O-ring	
1030	- •	1	O-ring	
1040	- •	1	O-ring	
1050	- •	2	O-ring	
1060	- •	1	O-ring	
1070	- •	2	O-ring	
1080	- •	2	O-ring	
1090	- •	1	O-ring	
1100	- •	2	O-ring	
1110	- •	1	O-ring	
1120	- •	2	O-ring	
1130	- •	2	O-ring	
1140	- •	2	O-ring	
1150	- •	2	O-ring	
1160	- •	2	O-ring	
1170	- •	4	O-ring	
1180	- •	1	O-ring	
1190	- •	1	O-ring	
1200	- •	1	O-ring	
1210	- •	2	O-ring	
1220	- •	1	O-ring	
1230	- •	1	O-ring	
1240	- •	1	O-ring	
1250	- •	1	Float valve assembly	
1260	- •	1	Antisuckback valve	
1261	- •	1	Spring	
1270	- •	1	Seal	
	3001 1701 66	1	Maintenance kit GVS 470A O₂	
2010	3001 1701 89 •	5	Oil separator element with bypass	
2011	- •	5	Exhaust filter spring	
2030	- •	2	O-ring	
2040	- •	1	O-ring	
	3001 1701 80	1	Repair kit GVS 470A O₂	
3010	- •	1	Valves and valves stop kit	
-	- •	1	Bearing kit	
3020	- ••	1	Tape front flap	
3030	- ••	1	Front bearing ring	
3040	- ••	1	Rear bearing ring	
3050	- ••	1	Tape Back flap	
3100	- •	1	Vane (set of 3)	
3110	- •	1	Belt	
3130	3001 1701 89 •	5	Oil separator element with bypass	
3140	- •	1	Oil level glass	
3160	- •	1	Filter paper element	
3170	- •	1	Rotor ring	
3180	- •	1	Washer	
3190	- •	1	Screw	
-	3001 1701 52 •	1	Seals kit GVS 470A O ₂	
-	3001 1701 99	1	PFPE oil (1L)	

13

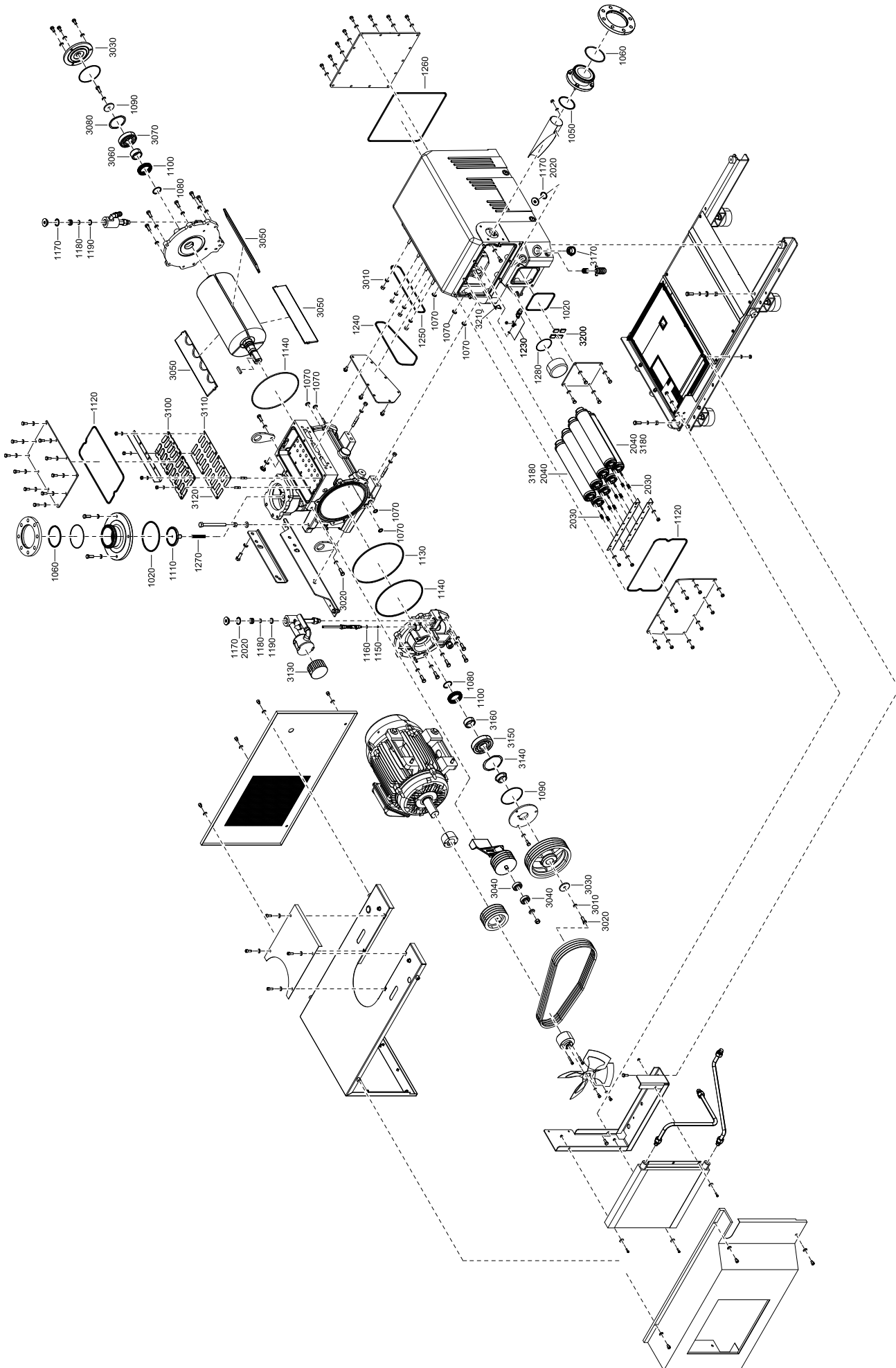


GVS 630A

13

Ref.	Part number	Qty	Name	Remarks
	3001 1701 47	1	Seals kit GVS 630A	
1020	- •	2	O-ring	
1050	- •	1	O-ring	
1060	- •	1	O-ring	
1070	- •	7	O-ring	
1080	- •	2	O-ring	
1090	- •	2	O-ring	
1100	- •	2	Shaft seal (set)	
1110	- •	1	Anti suckback valve	
1120	- •	2	O-ring	
1130	- •	1	O-ring	
1140	- •	2	O-ring	
1150	- •	1	O-ring	
1160	- •	1	O-ring	
1170	- •	2	O-ring	
1180	- •	2	Gas ballast membrane	
1190	- •	2	O-ring	
1230	- •	1	Float valve assembly	
1240	- •	1	O-ring	
1250	- •	1	O-ring	
1260	- •	1	O-ring	
1270	- •	1	Spring	
	3001 1701 61	1	Maintenance kit GVS 630A	
2020	- •	2	O-ring	
2030	- •	8	Spring	
2040	3001 1701 86 •	8	Oil separator element with bypass	
2050	3001 1701 93 •	1	Oil filter	
	3001 1701 75	1	Repair kit GVS 630A	
3010	- •	2	Washer	
3020	- •	2	Screw	
3030	- •	2	Disc for rotor	
3040	- •	1	Ball bearing (set of 2)	
3050	- •	1	Vane (set of 3)	
3060	- •	1	Race bushing	
3070	- •	1	Ball bearing	
3080	- •	1	Spring ring	
3100	- •	4	Valve stop	
3110	- •	2	Valve plate	
3120	- •	2	Valve plate	
3130	- •	1	Filter element	
3140	- •	1	Spring ring	
3150	- •	1	Ball bearing	
3160	- •	1	Race bushing	
3170	- •	1	Oil level glass	
3180	3001 1701 86 •	8	Oil separator element with bypass	
3190	3001 1701 93 •	1	Oil filter	
3200	- •	4	Magnet	
3210	- •	1	Clip	
-	3001 1701 47 •	1	Seals kit GVS 630A	
-	3001 1701 98	1	Polyester inlet filter element GVS 470-630A	
-	3001 1701 38	1	Belt set GVS 630A Europe/World	
-	3001 1701 39	1	Belt set GVS 630A US	
-		1	Oil	
	1630 2045 01		Vacuum Vane Fluid 68 - Mineral oil (1L)	
	1630 2049 01		Vacuum Vane Fluid Plus 100 - Synthetic oil (1L)	

14



GVS 630A O₂

14

Ref.	Part number	Qty	Name	Remarks
	3001 1701 53	1	Seals kit GVS 630A O₂	
1020	- •	2	O-ring	
1050	- •	1	O-ring	
1060	- •	1	O-ring	
1070	- •	7	O-ring	
1080	- •	2	O-ring	
1090	- •	2	O-ring	
1100	- •	2	Shaft seal (set)	
1110	- •	1	Antisuckback valve	
1120	- •	2	O-ring	
1130	- •	1	O-ring	
1140	- •	2	O-ring	
1150	- •	1	O-ring	
1160	- •	1	O-ring	
1170	- •	2	O-ring	
1180	- •	2	Gas ballast membran	
1190	- •	2	O-ring	
1230	- •	1	Float valve assembly	
1240	- •	1	O-ring	
1250	- •	1	O-ring	
1260	- •	1	O-ring	
1270	- •	1	Spring	
1280	- •	1	O-ring	
	3001 1701 67	1	Maintenance kit GVS 630A O₂	
2020	- •	2	O-ring	
2030	- •	8	Spring	
2040	3001 1701 89 •	8	Oil separator element with bypass	
	3001 1701 81	1	Repair kit GVS 630A O₂	
3010	- •	2	Washer	
3020	- •	2	Screw	
3030	- •	2	Disc for rotor	
3040	- •	1	Ball bearing (set of 2)	
3050	- •	1	Vane (set of 3)	
3060	- •	1	Race bushing	
3070	- •	1	Ball bearing	
3080	- •	1	Spring ring	
3100	- •	4	Valve stop	
3110	- •	2	Valve plate	
3120	- •	2	Valve plate	
3130	- •	1	Filter element	
3140	- •	1	Spring ring	
3150	- •	1	Ball bearing	
3160	- •	1	Race bushing	
3170	- •	1	Oil level glass	
3180	3001 1701 89 •	8	Oil separator element with bypass	
3200	- •	4	Magnet	
3210	- •	1	Clip	
-	3001 1701 53 •	1	Seals kit GVS 630A O ₂	
-	3001 1701 38	1	Belt set GVS 630A Europe/World	
-	3001 1701 39	1	Belt set GVS 630A US	
-	3001 1701 99	1	PFPE oil (1L)	

Sustainable Productivity

We stand by our responsibilities towards our customers,
towards the environment and the people around us.
We make performance stand the test of time.

This is what we call - Sustainable Productivity

Atlas Copco AB
(publ) SE-105 23 Stockholm, Sweden Phone: +46 8 743 80 00
Reg. no: 556014-2720 www.atlascopco.com

