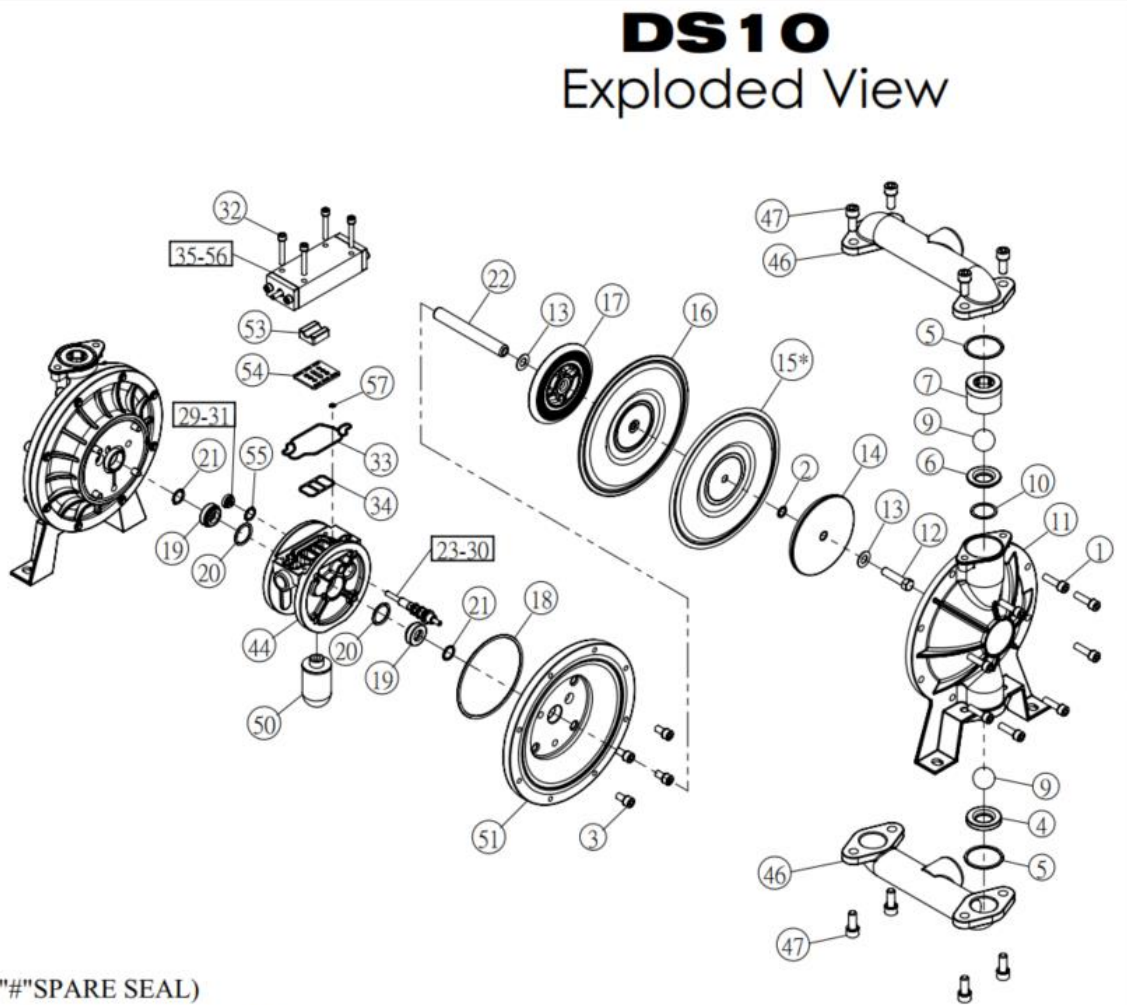


Vue Explosée - Pompe à diaphragme 1" en acier inoxydable DS10

Exploded View - 1" FNPT Stainless steel diaphragm pump DS10

SKU : DYIDS04SAITSSS01

No.	Component Name	Amount	ComponentNo.
1	HexagonScrew	16	PC000018SW
#2	Oring	2	PB000002
3	HexagonScrew	8	PC000002SW
&4	DownBallSeat(S)	2	PA000012
-	DownBallSeat(U)	2	PD000068
-	DownBallSeat(T)	2	PB000136
#5	Oring	4	PB000084
&6	UpBallSeat(S)	2	PA000024
-	UpBallSeat(U)	2	PD000066
-	UpBallSeat(T)	2	PB000135
&7	UpBallCover(S)	2	PA000033
-	UpBallCover(U)	2	PD000076
-	UpBallCover(P)	2	PB000125
&9	Ball(S)	4	PA000003
-	Ball(T)	4	PB000043
-	Ball(O)	4	PD000053
-	Ball(U)	4	PD000072
-	Ball(B)	4	PB000202
#10	Pad	2	PB000004
11	Housing of Pump	2	PA000420
12	SteelHexagonScrew	2	PC000173
13	Steel Washer	4	PC000058
&14	Pad of Diaphragm	2	PA000226
&15*	Outside Diaphragm(T)	2	PB000028N
-	Outside Diaphragm(U)	2	PB000033N
&16	Inside Diaphragm (collocate with 15)	2	PD000085
-	Diaphragm(O)	2	PD000086
&17	Pad of Diaphragm	2	PA000225
#18	Oring	2	PD000010
19	ShaftCover	2	PB000176
#20	Oring	2	PD000009
#21	Oring	2	PD000007
&22	ShaftOfDiaphragm	1	PA000084
23-30	BodyOfThimbleValve Set	1	A31-23N30N
29-31	ThimbleCap Set	1	A31-2931N
32	HexagonScrew	4	PC000101SW
#33	Abnormal Oring	1	PD000138
#34	Abnormal Oring	1	PD000131
35-56	Air-Valve Set	1	A31-35-45
44	BodyOfCylinderBase	1	PA000097
46	Pipe	2	PA000208
47	HexagonScrew	8	PC000020SW
50	Silencer	1	PB005331
51	AirPressureRoomOfPump	2	PA000195O
&53	SlitheryMassValve	1	PB000067N
&54	IncludePly	1	PB000071
#55	Oring	1	PD000024
#57	Oring	1	PD000018



("#"SPARE SEAL)
("&"Consumptive Parts Possible)
("*"None of this part in some model)

Vue Explosée - Pompe à diaphragme 1" en acier inoxydable DS10

Exploded View - 1" FNPT Stainless steel diaphragm pump DS10

SKU : DYIDS04SAITSSS01

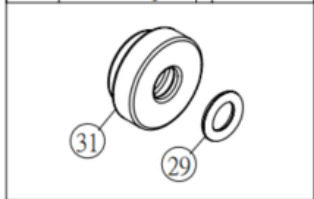
DS10

Exploded View

("&"Consumptive Parts Possible)

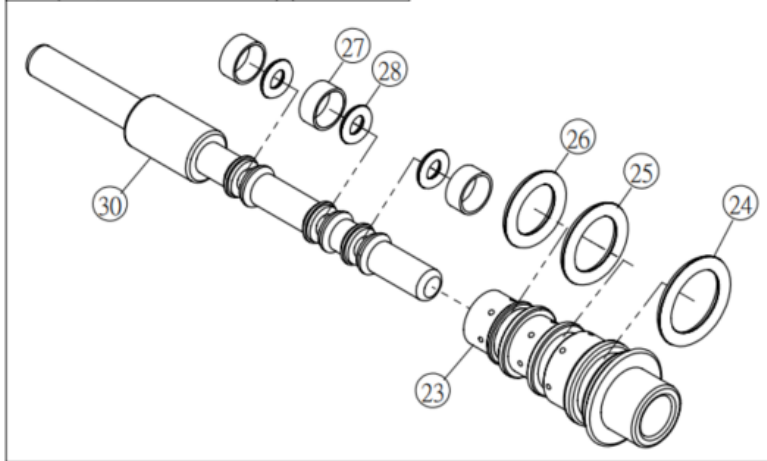
("#"SPARE SEAL)

29-31|ThimbleCap Set|1|A31-2931N



No.	Component Name	Amount	ComponentNo.
&23	BodyOfThimbleValve	1	PA000189
#24	Oring	1	PD000017
#25	Oring	1	PD000006
#26	Oring	1	PD000004
#27	Oring	3	PB000088
#28	Oring	3	PD000025
#29	Oring	1	PD000002
&30	Thimble	1	PA000201
31	ThimbleCap	1	PB000361

23-30|BodyOfThimbleValve Set|1|A31-23N30N



35-56|Air-Valve Set|1|A31-35-45

No.	Component Name	Amount	ComponentNo.
&35	BodyOfSequential	1	PA000104N
&36	PistonOfAirValve	1	PA000080
#37	U-type Oring	1	PDD00025
#38	U-type Oring	2	PDR00018
&39	StartingCopperLatch	1	PA000112
40	CoverOfSequential-A	1	PB000064
41	CoverOfSequential-B	1	PB000065
#42	Oring	1	PD000002
43	HousingOfSequential	2	PB000020
45	HexagonScrew	4	PC000013SW
#55	Oring	1	PD000024
#56	Oring	1	PD000038

